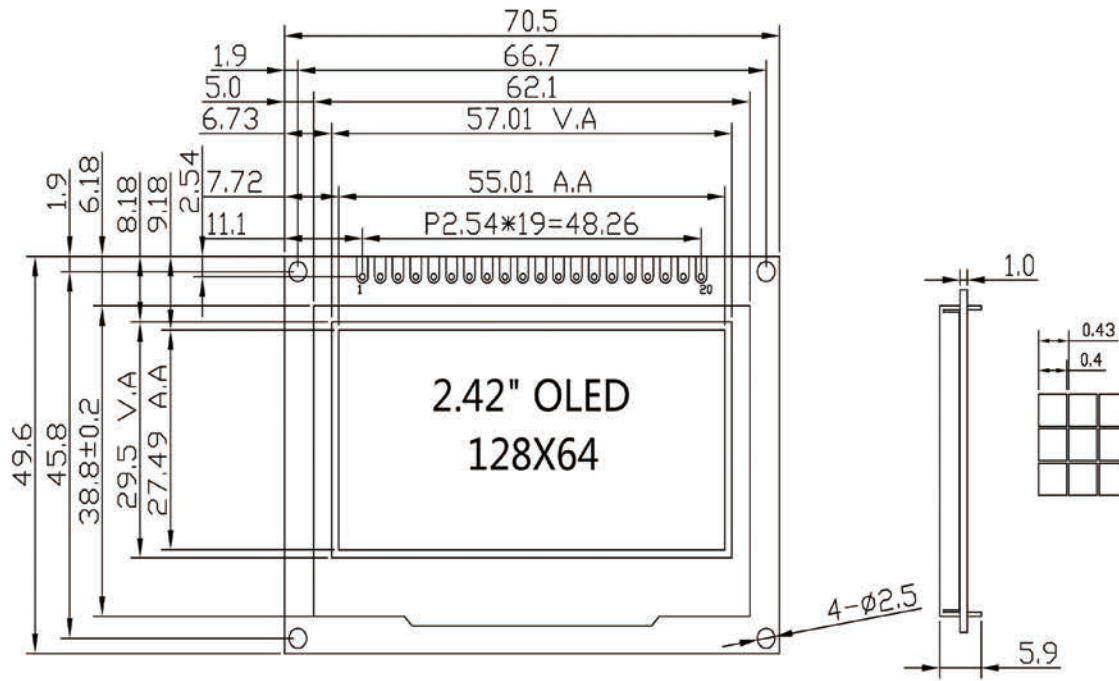
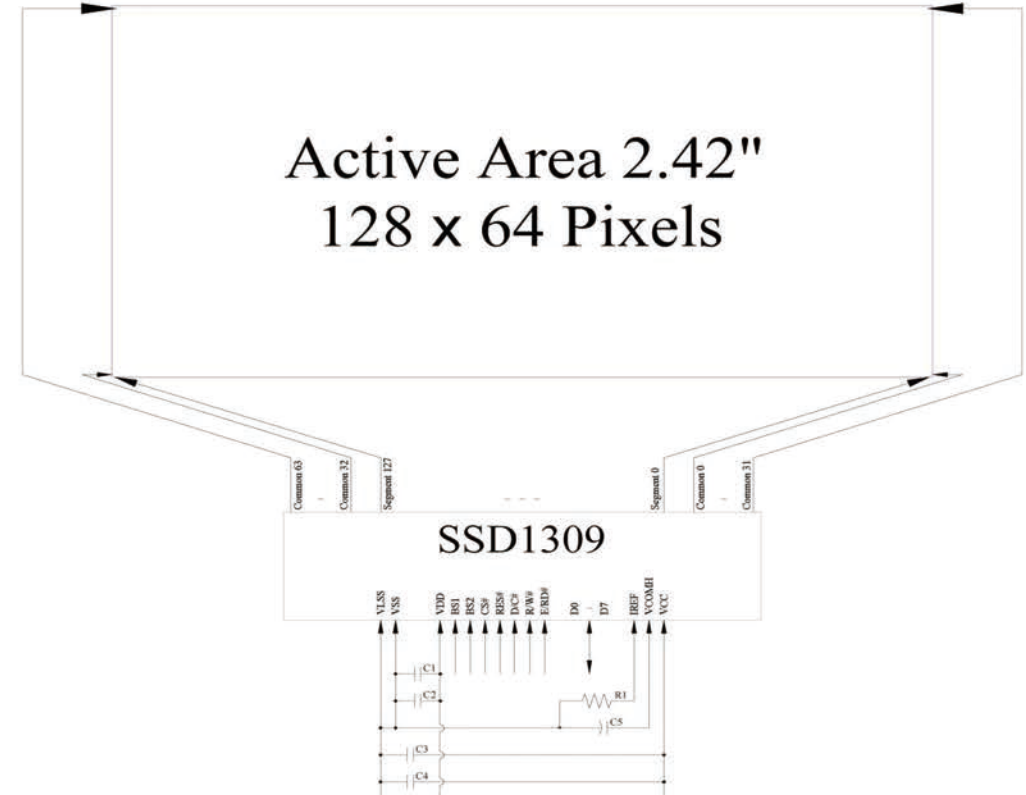


## EXTERNAL DIMENSIONS



## BLOCK DIAGRAM



## FUNCTIONS & FEATURES

### Features

- 128X64 dots
- Font Color: YELLOW/WHITE/GREEN
- Driver IC: SSD1309
- 8-BIT 68XX/80XX Parallel, 4-wire SPI, I2C

## MECHANICAL SPECIFICATIONS

ITEM	SPECIFICATIONS	UNIT
Module Size	70.5L x 49.6W x 5.9 (max) H	mm
View Area	57.0 x 29.5	mm
Effective Area	128 x 64	dots
Dot Size	0.39 x 0.39	mm
Dot Pitch	0.43 x 0.43	mm