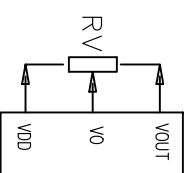
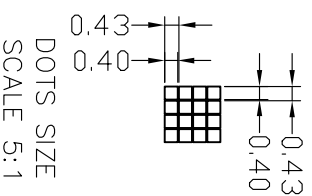
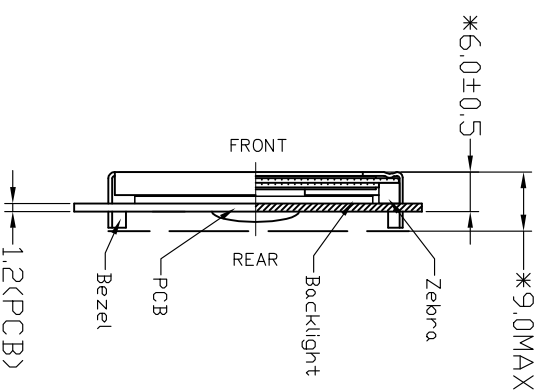
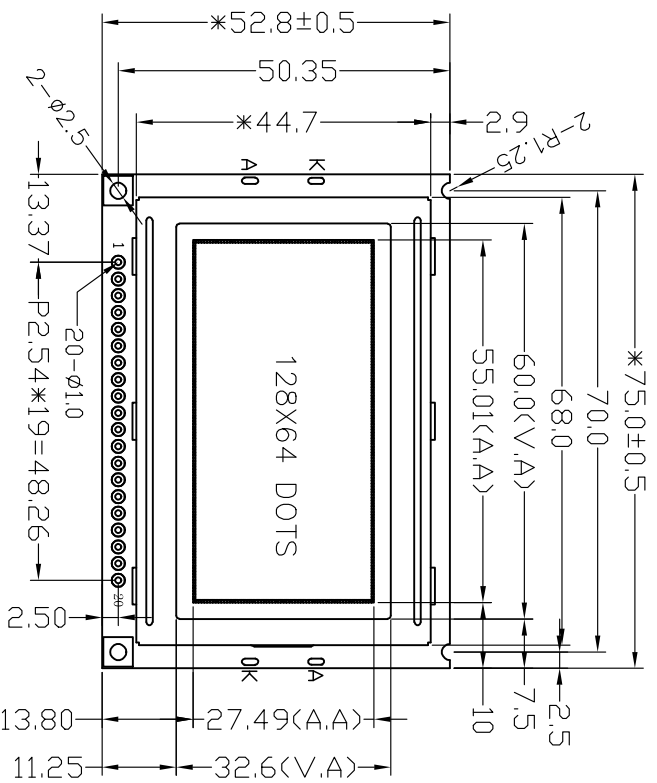


Customer approval :



Specification:

- 1). Driving: Duty:1/64, Bias:1/9, VOUT:-4.9V,V0:-4.6V, VDD:3.3V
- 2). Viewing Direction: 6 o'clock
- 3). Display mode: STN/Y-Y-G/Positive/Transflective
- 4). Operating temp.: -0°C~+50°C  
Storage temp.: -10°C~+60°C
- 5). IC: AP31107andAP31108
- 6). Backlight: EDGE Y-G
- 7). Dimensions with mark "\*" are important, with mark "(")" are referenced
- 8). All the raw materials are RoHS compliant

PIN	1	2	3	4	5	6	7	8	9	10
CONNECTION	VDD	VSS	V0	DB0	DB1	DB2	DB3	DB4	DB5	DB6
PIN	11	12	13	14	15	16	17	18	19	20
CONNECTION	DB7	/CS1	/CS2	/RST	R/W	RS	E	VOUT	BLA	BLK



深圳市三元晶科技有限公司  
Shenzhen TCC LCD Hi-Tech Co., Ltd.

REV	REVISION RECORD	DATE	MODEL NO.	CHECKED BY	DRAWING BY	GENERAL TOL:
A	First issue	7/30	SYB12864D2V20-309YL3N7R-B4NG	检查	绘图	未注公 ± 0.3
B			模组型	审核		PAGE: 1 OF 1
C			APPROVED BY	Francis	Luoxian	UNIT: mm
D			2011/07/30	2011/07/30	2011/07/30	PROJECTION 三角法