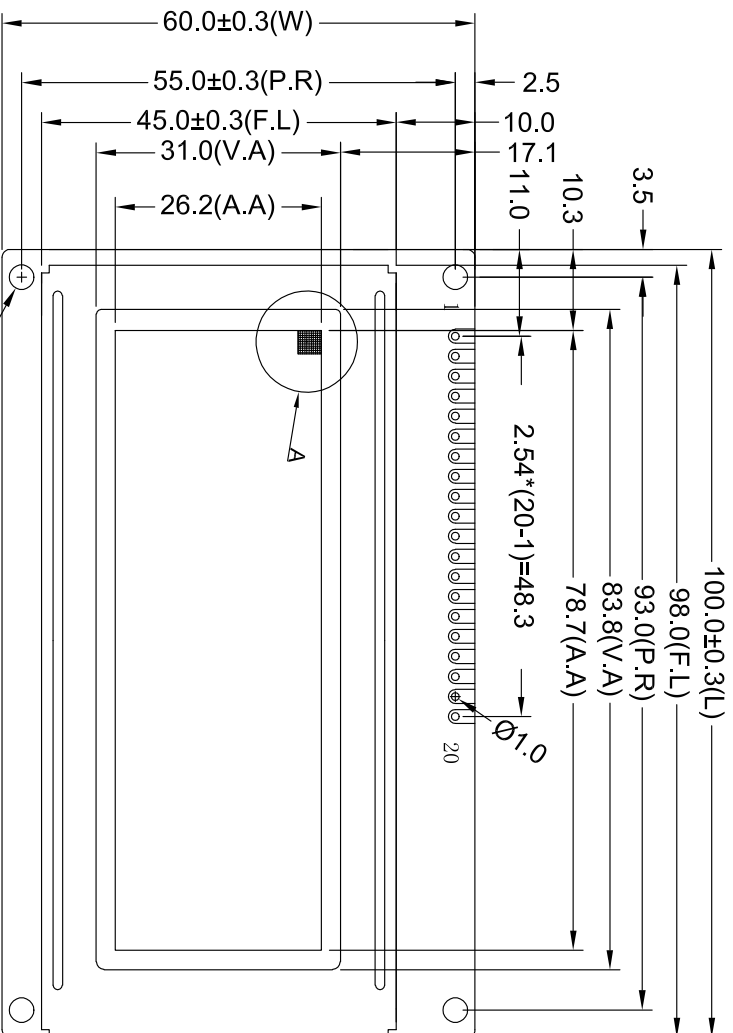
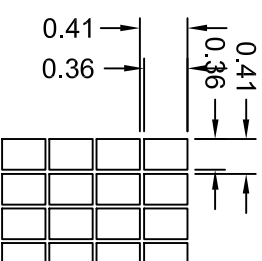
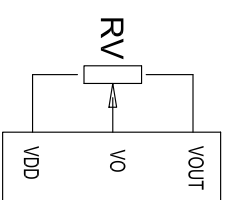
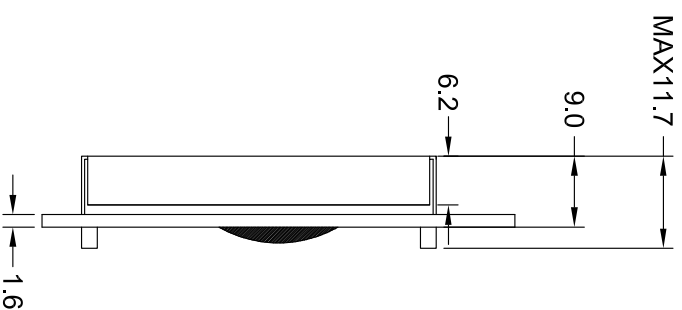


Customer approval :



SPECIFICATION:

- 1). Driving: Duty:1/64, Bias:1/9, Vdd:5.0V, Vlcd:7.5V
- 2). VIEWING DIRECTION: 6 O'CLOCK
- 3). Display mode: STN/Negative/T transmissive/Y-G
- 4). Operating temp.: -20°C~+70°C
- 5). Storage temp.: -30°C~+80°C
- 6). Control IC: SNB6400G, SNB0064
- 7). BACKLIGHT: Y-G
- 8). DIMENSIONS WITH MARK "" ARE IMPORTANT WITH MARK "()" ARE REFERENCED
- 9). All the raw materials are RoHS compliant



PIN	1	2	3	4	5	6	7	8	9	10
CONNECTION	CS1	CS2	VSS	VDD	V0	RS	RW	E	DB0	DB1
PIN	11	12	13	14	15	16	17	18	19	20
CONNECTION	DB2	DB3	DB4	DB5	DB6	DB7	BLA	BLK	VOUT	RST

REV	REVISION RECORD	DATE
A		
B		
C		
D		



深圳市三元晶科技有限公司
Shenzhen TCC LCD Hi-Tech Co., Ltd.

MODEL NO. SYB19264A2V30-59YL1NR-B5NG

APPROVED BY

CHECKED BY

DRAWING BY

PAGE: 1 OF 1

UNIT: mm



Francis 2011/02/16

Luoxian 2011/02/16

GENERAL TOL: ±0.2

